

MECHANICAL ENGINEERING STUDENTS ASSOCIATION

(MESA)

PHOENIX 2K18

Technical Event

(25th to 28th Sept 2018)



Modern Education Society's
COLLEGE OF ENGINEERING, PUNE-01

About MECHANICAL ENGINEERING STUDENTS ASSOCIATION (MESA)

MESA is MESCOE Mechanical Student Association. The MESA was formed to bring about the technical development of students by organizing seminars, workshops and other activities and also to improve non-technical abilities of students by engendering good communication skills, managerial abilities, presentation skills and team work.

Objectives

- To Promote the interaction between academia and industry by organizing industrial visits, special lectures and facilitate in industrial training
- Promoting the interests of students in various technical areas pertaining to mechanical engineering
- To encourage students of the mechanical Engineering department to develop their personal skills, like event management & time management by organizing inter & inter Collegiate Events
- To bring about the technical development of students by organizing seminars, workshops and other activities.

Outcomes:

The students will be able to

- Develop their technical and non-technical competitive skill
- Develop their communication skills, managerial abilities, presentation skills and team work.
- Put forth their ideas

Role of the Faculty Coordinator:

- The faculty coordinator will be responsible for team selection.
- Faculty coordinator have all rights to terminate any non performing member in the committee.
- All purchases for event conduction must be processed through faculty coordinator.
- All events should be conducted under the guidance of respective coordinator as well as respective event coordinators.

Team Selection Policy:

- Academic result is considered for the post of President and Vice-President
- All interested students for committee members are called for interview.
- The interview is conducted by faculty coordinator, Senior faculties and President in Semester II and charge is handed over to new President and committee members
-

MESA Committee member 2018-19

President	Prathamesh Chikorde	
Vice President	Rajneesh Chaudhary	
Secretary	Aditya Joshi	
Treasurer	1. Prashant Kudale	2. Jaydeep Chaukekar
	3. Ankita mandale	
Event Head	4. Tanmay Tekawade	5. Akshay Bhosale
	6. Ameya Davhale	7. Pranay Ladkat
	8. Aditya Deo	9. Augniva Saha
	10. Ateeb Khan	11. Chinmay Sheth
	12. Kunal Gatkat	13. Sumit Pawar
Event Co-ordinator	1. Meghraj Konduskar	2. Vaibhav Kale
	3. Aniket Gawande	4. Nikhil Kurai
	5. Prasad Pangul	6. Suraj Khade
Ladies Representative(LR)	1. Vaishnavi Deshpande	2. Vishakha Pawar
MESA Co-ordinators	1. Chinmay Lokhande	2. Mayur Patil
	3. Omkar Mokashi	4. Ganesh More
	5. Gaurav Balgude	6. Komalkriti Iyengar
	7. Sahil Lambe	8. Gaurav Kataria
	9. Chandan Kolpe (Photography)	10. Himanshu Patil (Photography)
Sponsorship Heads	1. Atharv muley (H)	1. Aditya khadilkar
	2. Ninad khater	3. Vaibhav Gund
	4. Vivek Sangode	5. Neha Salunkhe
	6. Kavita Mehak	7. Rohit Sangle
Decoration Heads	1. Abhishek Dhamdhare	2. Abhijit Kapadnis
	3. Nikhil Mahajan	4. Mayur Choudhari
	5. Kavita Mekhe	6. Varun Yeole
Documentation Heads	1. Sahil Tiple	2. Gagan Lokhande
	3. Shrutika Panchal	4. Aniket Gaikwad

Staff Committee Members of PHOENIX-2k18

Sr. No.	Event	Staff In-charge	Judges for Event	Students In-charge
1.	Lathe War	Prof. A. A. Chougule	1. Prof. H. S. Salave 2. Mr. S. R. Raut 3. Mr. V. A. Patil	Mr. Chinmay sheth
2.	CAD War	Prof. R. N. Yerrawar	1. Prof. S. J. Chikhale 2. Prof. N. N. Kumbhar 3. Prof. B. R. Pujari	Mr. Tanmay Tekawade
3.	GOOGLER	Prof. S. P. Gadewar	1. Dr. S. H. Gawande 2. Prof. V. J. Sonawane 3. Prof. A.A. Patil	Mr. Kunal Gadkat
4.	HOOKUP	Prof. B. D. Nandre	1. Prof. H. S. Salave 2. Prof. V. Suryawanshi 3. Prof. C. B. Meshram	Mr. Pranay Ladkat Mr. Atteb Khan
5.	POSTER PRESENTATION	Dr. S. S. Sarawade	1. Prof. V. J. Sonawane 2. Prof. K. A. Mahajan 3. Prof. P. S. Pandure	Mr. Sumit Pawar
6.	TECH QUIZ	Prof. S. R. Kandharkar	1. Dr. V. N. Chougule 2. Dr. A. C. Mitra 3. Prof. S. P. Patil	Mr. Augniva Saha
7.	TREASURER HUNT	Prof. V. M. Suryawanshi	1. Prof. V. R. Varude 2. Prof. V. S. Mane 3. Prof. P. R Magdum	Mr. Aditya Deo
8.	COUNTER STRIKE (1.6)	Prof. N. N. Kumbhar	1. Prof. A.A. Patil 1. Prof. S. J. Chikhale 2. Prof. B. R. Pujari	Mr. Ameya Davhale
2.	PUBG	Prof. S. D. Wankhede	1. Prof. V. R. Varude 2. Prof. Suhas. Jadhav 2. Prof. P. B. Birardar	Mr. Atharv Muley
3.	BOX CRICKET	Prof. K. A. Mahajan	1. Prof. Prasad Bhoge 2. Prof. S. R. Kandharkar 3. Prof. S. D. Wankhede	Mr. Akshay Bhosale

Scheduled of PHOENIX-2k18

Day & Date	Event Name	Time	Location
25 Sept 2018, Tuesday	Inauguration Ceremony	9:00 am to 9:30 am	Mechanical Workshop
	Lathe War	10:00 am to 2:00 pm	Mechanical Workshop
	Hookup	10:00 am to 2:00 pm	Mechanical Workshop
	Googler	11.45 am to 4:00 pm	Room No 107
	CAD War	11.45 am to 4:00 pm	Room No 106
	PUBG	1:00 pm to 4:00 pm	Seminar Floor (001), Ground Floor
26 Sept 2018, Wednesday	Poster Presentation	9:00 am to 11.30am	Drawing Hall 117
	Tech Quiz	9:00 am to 11.30am	Class Room 309 & 312
	Counter Strike	9:00 am to 2 pm	Room No 106 & 107
	Treasurer Hunt	2:00 pm to 3:30 pm	Ground, First & Third Floor & MESCOE Parking
27 Sept 2018, Thursday	Box Cricket	9 am to 3 pm	MESCOE Parking
28 Sept 2017, Friday	“Prize Distribution Ceremony and Group Photo	10:00 am to 1:00 pm	Seminar Hall 509

About “PHOENIX-2k18”

“PHOENIX” is regular activity organising by MESA every year to nurture the overall development of students. Phoenix-2K18 organising various technical events during 25th to 28th September 2018 such as Lathe War, CAD War, Googler, Hookup, Poster Presentation, Techno Quiz, Techno Treasure Hunt, Counter Strike 1.6, PUBG, Box Cricket etc. the Registration and campaigning for the events is started on the 13th September 2018. Entire MESA was in full gusto, trying their best to attract students to participate for all the events. As Phoenix-2K18 is an inter-college event, everyone is geared up to attract more students and establish themselves as excellent publicity and marketing organisers. Organising Team: - Dr. S. H. Gawande, Prof. H. S. Salave and MESA team members. Following events were scheduled on 25th to 28th Sept- 2018

Registration and Inauguration

PHOENIX-2k18 is inaugurated on the first day of event 25th September 2018 at 10:00 am in Department of Mechanical Engineering workshop by the auspicious hand of Prof. Dr. A.A. Keste (Principal) in the presence of Dr. V. N. Raibhole (Vice-Principal), Dr. V. N. Chougule (HoD, Mechanical), Dr. S. H. Gawande (MESA, Faculty Advisor), Prof. H. S. Salave (MESA, Faculty Advisor) and all the teaching and non-teaching staff. Prof. H. S. Salave delivered a brief introduction about the event PHOENIX-2k18.



Registration Desk of PHOENIX-2k17



Inagurated by Dr. A. A. Keste (Principal), Dr. V. N. Raibhole (Vice- Principal) and Dr. V. Chougule (HoD)



MESA Team

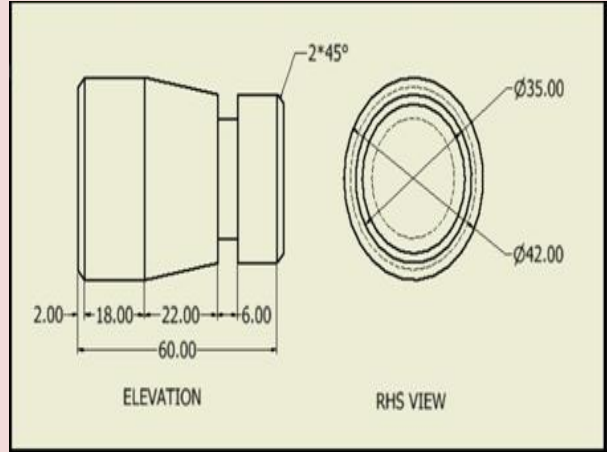
LATHE WAR

The Lathe war event work started from Friday 23rd SEPT with the cutting of NYLON material used in competition. According to design material was cut in given length in all 34 pieces were cut. All participants were given all rules through text messages. There were 3 batches performing in event. Invitation to judges were sent day before event. All of this was done before event got started

Nylon Material for Lathe War:



Cutting Material



Job Design

Event Winner and Runner-up:

Winner	Shivam Shinde & Aarti Bhagat
Runner-up	Mohit Gaikwad & Shubham Bendale

Proof:



CAD WAR

The event work started from Saturday, 22nd Sept with the check of PC's in the lab with the help of coordinators and under the guidance of Prof. R. N. Yerrawar. Subsequently the questions to be 3D modeled by the participants were also selected. 2 Questions were selected for the event. On 24th SEPT the sponsorer's banner was also put up on the outside wall of the lab under the guidance of Prof. R. N. Yerrawar & Prof. H. S. Salave & the participants were contacted to convey the timings & venue of the event

Event Winner and Runner-up:

Winner	Rohan Koshti (TE MECH 2)
Runner-up	Shriram Batav (TE MECH 1)

Proof:



HOOK UP

The event work started from Saturday, 22nd Sept with the selection of Assemblies and respective tools required in the workshop with the help of coordinators and under the guidance of Prof. B. D. Nandre. Subsequently the Assemblies to be assembled and disassembled by the participants were also checked. 4 Assemblies were selected for the event. On 24th SEPT the Event Posters was also put up on the outside wall of the workshop under the guidance of Prof. B. D. Nandre & the participants were contacted to convey the timings & venue of the event.

Event Winner and Runner-up:

Winner	Sahil Tikkal & Yash Chatur
Runner-up	Tanmay Thorat & Atharva Tungikar.

Proof:



TECH QUIZ

The event work started from Saturday. 22nd Sept with the getting the permission for getting the access for room no. 309 and 312 .After getting the permission the team started the work of decoration by making a poster to guide the participants towards the room in which the event was to be conducted

On 26th The first round was rapid fire round in which 21 teams participated out of which 8 teams qualified for 2nd round.

Second round was an audio visual round in which each team was asked 5 questions .Accordingly only 4 teams were qualified for the 3rd and final round .here the teams were provided with 10 questions each which were mcq based .4 points were given to the correct answer and -1 for the wrong one . after the event was wrapped up the EVENT WINNERS were declared by us & reported

Winner	Aniket Sharma & Akash Rohan
Runner-up	Taiyyab Shaikh

Proofs:



POSTER PRESENTATION

The event work started on Tuesday 25th Sept with the decoration of Drawing Hall 117. All participants were given reminder calls along with detail explanation of rules. There were 11 groups performing in event. Invitation to judges were sent day before event.

On the day of event a small inauguration was conducted in drawing hall 117 at 10 am. After Inauguration the event along with the presence of Event Head, Event Coordinators & other MESA members officially began.

Event Winner and Runner-up:

Winner	Uma Mirji & Shubham Medankar
Runner-up	Tanaya Biswas & Stephanie

Proof:



TECHNO TREASURE HUNT

The event work started on Tuesday 25th Sept with the decoration of Drawing Hall 117. All participants were given reminder calls along with detail explanation of rules. There were 11 groups performing in event. Invitation to judges were sent day before event.

On the day of event a small inauguration was conducted in drawing hall 117 at 10 am. After Inauguration the event along with the presence of Event Head, Event Coordinators & other MESA members officially began.

Event Winner and Runner-up:

Winner	Jyoti Kalokhe, Prajakta Saste and Piyush Muthal
--------	-------------------------------------------------------

Proof:



GOOGLER

The event work started from Saturday 22nd Sept with the check of PC's in the lab with the help of coordinators and under the guidance of Prof. S.P.Gadewar. On 24th Sept, the participants were contacted to convey the timings & venue of the event.

The EVENT'S 1st round was conducted at 12:00 pm with all the participants seated at their respective allotted PC's & the questions being handed over to them. The time allotted for each participant was 2:30 minutes to answer the questions(5 questions each with 1mark)&6 minutes were given to prepare documentation on given topic. The participants comprised of the classes from SE, TE & BE Mechanical divisions. The participants used their fast typing skills to answer the question and prepare the documentation in the allotted time. At 1 pm the 1st round of the event was concluded. Then the top 8 participants with most correct answers were selected for round 2.

The selected participants were given 10:00 minutes time to prepare for their presentation. Then the 2nd round begins at 2:00 pm. The participants were made to give presentation in front of our judges on the documentation they prepared in round 1 and then finally the event concluded at 3:30 pm. The participants were guided during their entirety of the event for problems regarding the conduct of the event. After the completion of the 2nd round, we officially declared that the EVENT was finished & was successfully completed. The EVENT took place completely in accordance to the instructions of Prof. S.P. Gadewar & Prof. H. S. Salave.

Event Winner and Runner-up:

Winner	Jalaj Shukla
Runner-up	Gurusha Lulla

Proof:



COUNTER STRIKE

The event work started from 25th Sept with the check of PC's in the lab with the help of coordinators and under the guidance of Prof. N. N. Kumbhar. The participants were contacted to convey the timings & venue of the event. at 9 am the event was inaugurated by Prof. H. S. Salave, Prof. N. N. Kumbhar along with the presence of MESA Committee Members, Event Coordinators & other MESA members by cutting the ribbon

The EVENT'S 1st round was conducted at 9:15 am with all the participants seated at their respective allotted PC's. The game version used was C.S-1.6. The teams comprised of the classes from FE, SE, TE & BE. The participants used their gaming skills to play and to win the tournament. At 2 pm the 1st round of the event was concluded.

The 2nd round started the next day i.e. on 27th Sept. The matches were held accordingly and the winner team was concluded. The teams were guided during the entire event for problems regarding the conduct of the event. After the completion of the 2nd round, we officially declared that the EVENT was finished & was successfully completed. The EVENT took place completely in accordance to the instructions of Prof. N. N. Kumbhar

Event Winner and Runner-up:

Winner	Shreyas Shetty and team
--------	-------------------------

Proof:



BOX CRICKET

The event was scheduled on 27th September 2018. In the morning, by 8am, all the preparations for the event were done and the preparation for the inauguration started. By the same time all the participant teams started reporting. The inauguration was done by Professor K.A.Mahajan, the staff incharge, at 9:30. Before that all the preparations were ensured by the team.

The event finally started immediately after the inauguration. The matches were conducted successfully without any disputes. All my coordinators helped me in coordination. All the BE students helped in umpiring and controlling the crowd.

The semi finals started near around 5pm after eliminating all the teams and the final was conducted simultaneously. Overall, the event was a great success!

Event Winner and Runner-up:

Winner	Team Aditya.
Runner-up	Team Abhyuday.

Proof:



Engineers Day Celebration and Prize Distribution Ceremony:

“PHOENIX” is regular activity organized by MESA of Department of Mechanical Engineering of M.E.S. College of Engineering Pune every year to nurture the overall development of students. Under PHOENIX-2K18 various technical and non-technical events are scheduled during 25-28th September 2018 such as Lathe War, CAD War, Googler, Hookup, Poster Presentation, Techno Quiz, Techno Treasure Hunt, Counter Strike 1.6, PUBG, Box Cricket etc. **PHOENIX-2k18** was inaugurated on the first day of event 25th September 2018 at 10:00 am in Department of Mechanical Engineering workshop by the auspicious hand of Prof. Dr. A.A. Keste (Principal) in the presence of Dr. V. N. Raibhole (Vice-Principal), Dr. V. N. Chougule (HoD, Mechanical), Dr. S. H. Gawande (MESA, Faculty Advisor), Prof. H. S. Salave (MESA, Faculty Advisor) and all the teaching and non-teaching staff. Prof. H. S. Salave delivered a brief introduction about the event PHOENIX-2k18. The conclusion of **PHOENIX-2k18** was scheduled on 28th September 2018 with distribution of prizes and certificates to winning and runner teams. More than 300 students from various colleges affiliated to Savitribai Phule Pune University were participated.



Welcome Speech by Prof. H. S. Salave



Prize Distribution by Dr. A. A. Keste (Principal) and Dr. V. N Chougule (HoD)



Prize Distribution by Dr. S. S. Sarwade and Dr. A. C. Mitra



Prize Distribution by Dr. S. H. Gawande and Prof. H. S. Salave



Organizing Committee of PHOENIX-2k18



MESA Team with Dr. A. A. Keste (Principal) & Dr. V. N. Chougule (HoD)

“PHOENIX-2k18” Event Article Published in Sakal Times

Publicity Article (Published on 22/09/2018)

Sakal Times

Tech buzz

If you are a tech geek, then Phoenix-2K18 is where you should shine. The inter-collegiate competition, Phoenix-2K18, organised by the Mechanical Engineering Students Association (MESA) of MES College of Engineering, starts from September 25.

The MESA was formed to bring about the technical development of mechanical engineering students by organising technical events, lectures, seminars, workshops by experts, besides co-curricular and extra-curricular activities.

The four day competition, Phoenix-2K18, includes various technical events like Lathe War, CAD War, Googler, Hookup, Poster Presentation, Techno Quiz, Techno Treasure Hunt, Counter Strike 1.6, PUBG, Box Cricket etc. The registration and campaigning for the events began on September 13. To register, contact 9021088037/8888897509.



5TPUNE, Supplement
22/09/2018 Page No. 4

MESCOE organises Phoenix-2k18 in city



BEGINNING: The Principal of MESCOE Prof Dr AA Keste (C) inaugurates 'Phoenix-2k18' at the Mechanical Engineering Dept.

ST CORRESPONDENT
reporters@sakaaltimes.com

Pune: Phoenix-2k18, an activity by the Department of Mechanical Engineering of MES College of Engineering (MESCOE), was inaugurated on Tuesday.

Principal Prof Dr AA Keste inaugurated the event in the presence of Vice-President Dr VN Raibhole, Head of Department (Mechanical) Dr VN Chougule, Dr SH Gawande, Prof HS Salave and all the teaching and non-teaching staff.

Prof HS Salave delivered a brief introduction about the event Phoenix-2k18.

Under Phoenix-2k18, various technical and non-tech-

Principal Prof Dr AA Keste inaugurated the event in the presence of Vice-President Dr VN Raibhole, Head of Department (Mechanical) Dr VN Chougule, Dr SH Gawande, Prof HS Salave and all teaching and non-teaching staff.

nical events are scheduled from September 25 to 28, which include Lathe War, CAD War, Googler, Hookup, Poster Presentation, Techno Quiz, Techno Treasure Hunt, Counter-Strike 1.6, PUBG, Box Cricket, etc.

STPUNE, Main
26/09/2018 Page No. 4

Sakal Times

MES CoE organises 'Phoenix'



BEAMING:
Participants of Phoenix-18 at the MES College of Engineering.

ST CORRESPONDENT
reporters@sakaaltimes.com

Pune: For the overall development of students, the annual activity of MESA of Department of Mechanical Engineering of MES College of Engineering, Pune recently organised an event.

Under the PHOENIX-2K18, various techni-

cal and non-technical events were held such as Lathe War, CAD War, Googler, Hookup, Poster Presentation, Techno Quiz, Techno Treasure Hunt, Counter Strike 1.6, PUBG, Box Cricket etc.

It was inaugurated in Department of Mechanical Engineering workshop by AA Keste (Principal) in the presence of VN Raibhole

(Vice-Principal), VN Chougule (HoD, Mechanical), SH Gawande (MESA, Faculty Advisor), HS Salave (MESA, Faculty Advisor) and all teaching and non-teaching staff.

Salave gave a brief introduction about the event. More than 300 students from various colleges affiliated to Savitribai Phule Pune University participated.

STPUNE, Main
20/10/2018 Page No. 6

Vision of Department

To groom Motivated, Environmental friendly, Self-esteemed, Creative and Oriented Mechanical Engineers

Mission of Department:

To Develop Industry Oriented Manpower to accept the challenges of Globalization by,

- Imparting mechanical engineering knowledge through trained faculty in conducive environment,
- Creating awareness about the needs of mechanical industries through alumni and industry-institute interactions
- Encouraging them to think innovatively and introduce them to various research activities
- Supporting them to groom in all aspects like communication, interpersonal skills.

Program Educational Objectives:

The following Program Educational Objectives are established for the Mechanical Engineering:

- **Pre-preparation:** To prepare students with strong foundation in mathematical, scientific and engineering fundamentals that will enable them to have successful career in Core Mechanical and Interdisciplinary Industries.
- **Core Competence:** To prepare students for rapid technological change with core Mechanical Engineering domain knowledge.
- **Breadth:** To enable students to develop their knowledge and skills across the range of disciplines.
- **Professionalism:** To prepare students for soft skills with good communication, ethical values and ability to work in a team
- **Learning Environment:** To prepare students to strengthen their knowledge and skills through self-learning abilities throughout their professional career as well as to pursue higher education.

Mechanical Engineering Program Outcomes:

The Mechanical Engineering graduates will be able to:

1. **Engineering knowledge:** Apply the knowledge of mathematics, science, engineering fundamentals, and an engineering specialization to the solution of complex engineering problems.
2. **Problem analysis:** Identify, formulate, review research literature, and analyze complex engineering problems reaching substantiated conclusions using first principles of mathematics, natural sciences, and engineering sciences.
3. **Design/development of solutions:** Design solutions for complex engineering problems and design system components or processes that meet the specified needs with appropriate consideration for the public health and safety, and the cultural, societal, and environmental considerations.
4. **Conduct investigations of complex problems:** Use research-based knowledge and research methods including design of experiments, analysis and interpretation of data, and synthesis of the information to provide valid conclusions.
5. **Modern tool usage:** Create, select, and apply appropriate techniques, resources, and modern engineering and IT tools including prediction and modeling to complex engineering activities with an understanding of the limitations.
6. **The engineer and society:** Apply reasoning informed by the contextual knowledge to assess societal, health, safety, legal and cultural issues and the consequent responsibilities relevant to the professional engineering practice.

7. **Environment and sustainability:** Understand the impact of the professional engineering solutions in societal and environmental contexts, and demonstrate the knowledge of, and need for sustainable development.
8. **Ethics:** Apply ethical principles and commit to professional ethics and responsibilities and norms of the engineering practice.
9. Individual and team work: Function effectively as an individual, and as a member or leader in diverse teams, and in multidisciplinary settings.
10. **Communication:** Communicate effectively on complex engineering activities with the engineering community and with society at large, such as, being able to comprehend and write effective reports and design documentation, make effective presentations, and give and receive clear instructions.
11. **Project management and finance:** Demonstrate knowledge and understanding of the engineering and management principles and apply these to one's own work, as a member and leader in a team, to manage projects and in multidisciplinary environments.
12. **Life-long learning:** Recognize the need for, and have the preparation and ability to engage in independent and life-long learning in the broadest context of technological change.
13. **PSO I:** Apply principles of machine design, manufacturing, thermal engineering and management to identify, formulate and solve real life problems in various fields of engineering
14. **PSO II:** Use modern modeling, simulation techniques and computational tools.
15. **PSO III:** Develop practical solutions for mechanical engineering problems/processes under professional and ethical constraints.